

# PLANETARY CARRIER SOLUTIONS



Higher Load  
Carrying Capacity



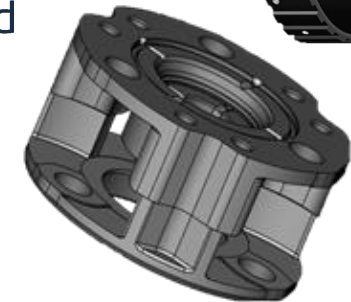
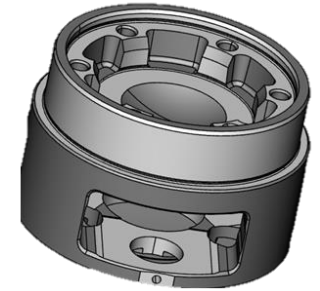
Smart Design



Sustainable

ADDING VALUE TO BATTERY ELECTRIC VEHICLE FOR EASY INTEGRATION & REFINEMENT

- ✓ Mid to high range tonnage(500-1600T) capabilities to produce wide range of products
- ✓ Powerful, high accuracy & high-volume manufacturing
- ✓ Multiple joining technologies allow for two, three, & four level carrier designs
- ✓ Optimized material for each level of application with enhanced machining
- ✓ Multi-functional design integration capabilities; Hubs, OWC's can be incorporated
- ✓ Sustainable & net shape manufacturing targeting 100% material utilization with integrated features to eliminate machining



**INDUSTRY**

BEV /  
Automotive Transmission

**TECHNOLOGY**

GKN Sinter Brazing

**MATERIAL**

Steel

